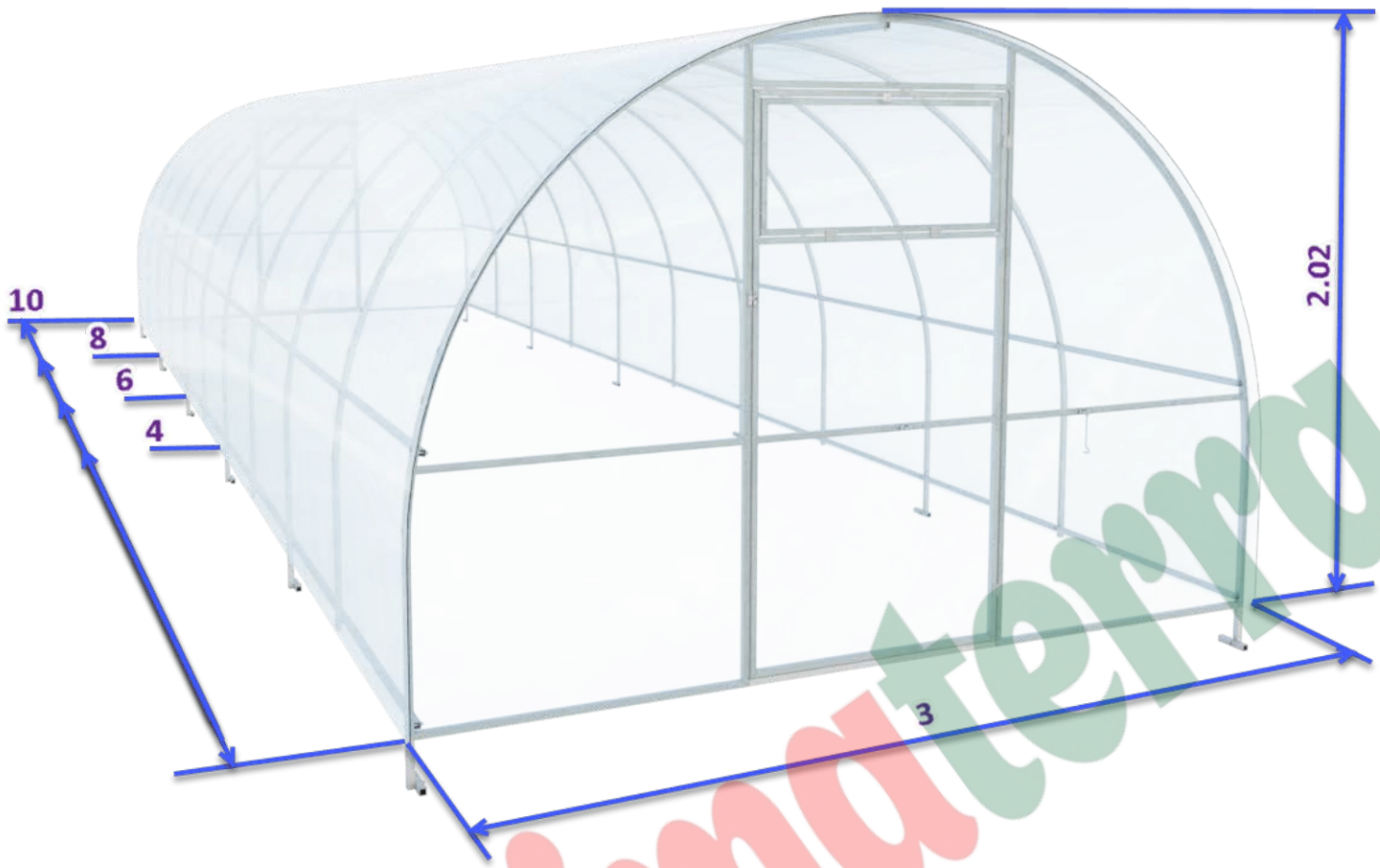
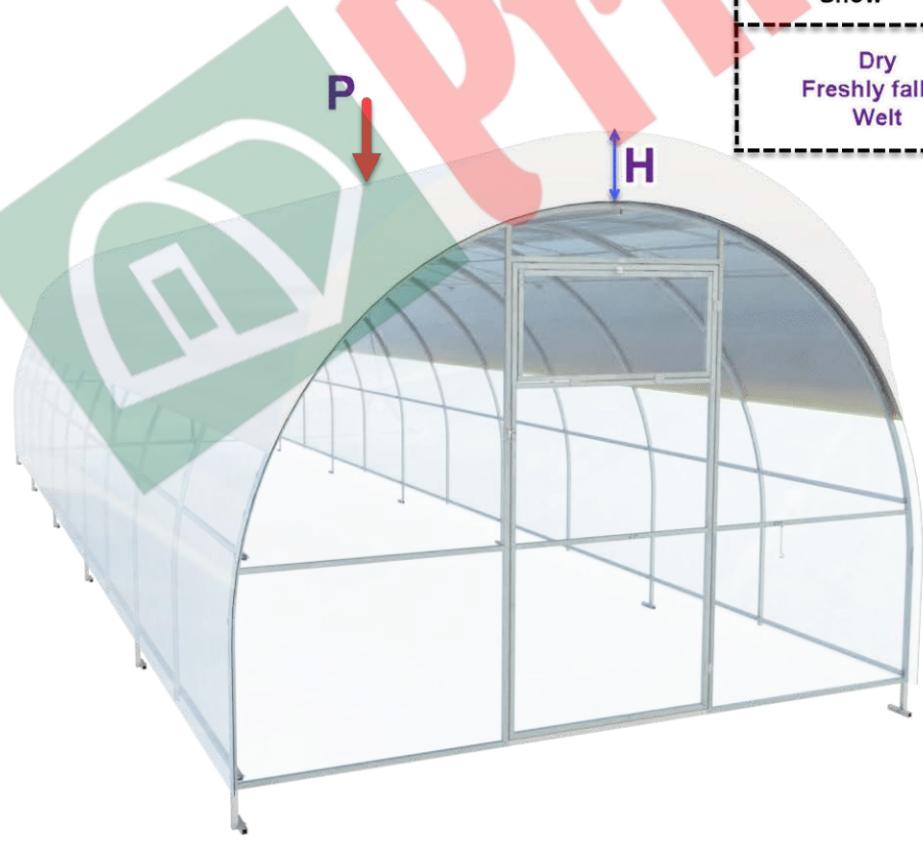


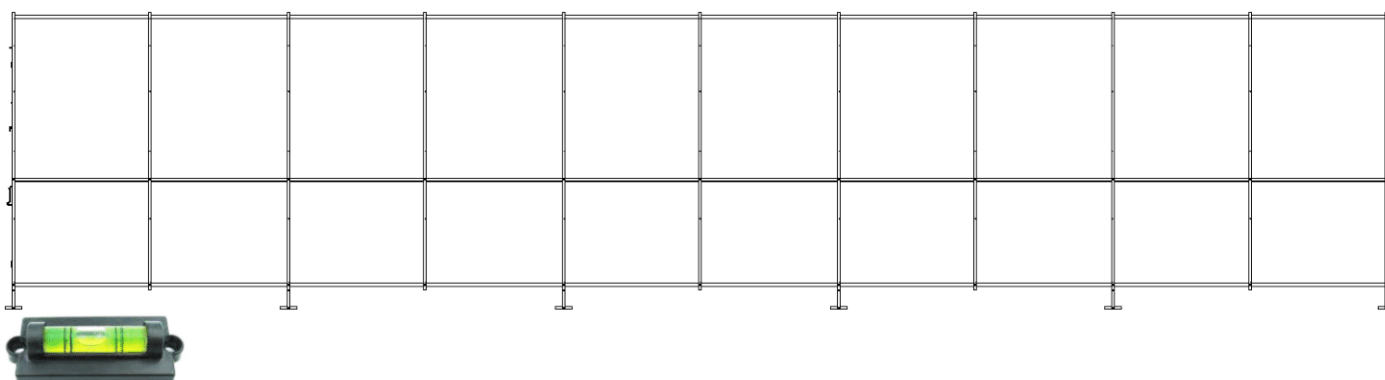
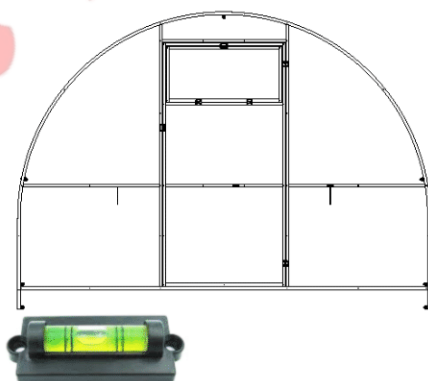
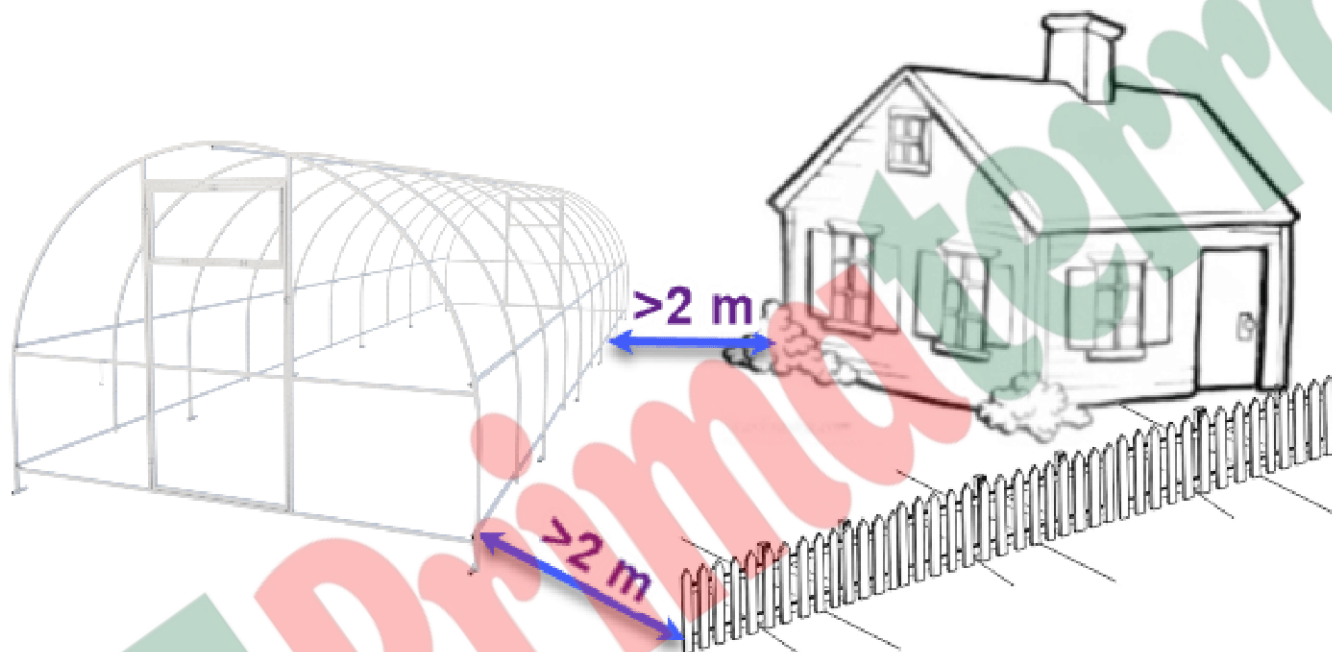
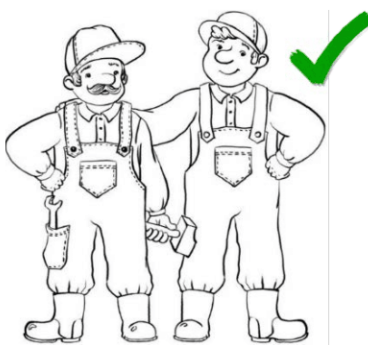


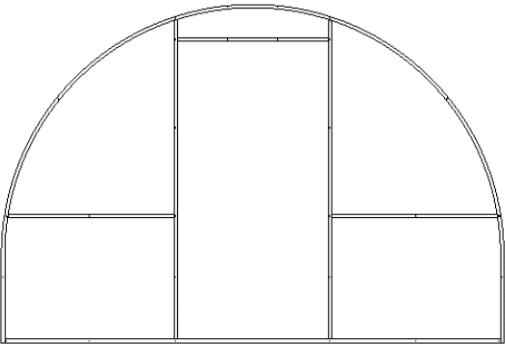
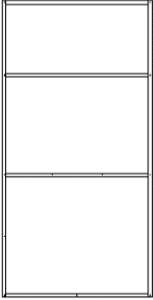


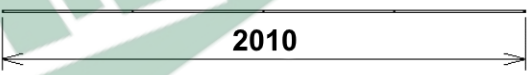
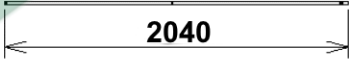
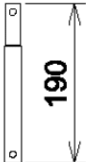
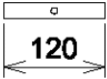
Standart

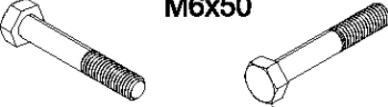





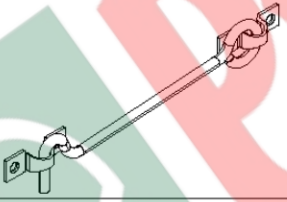




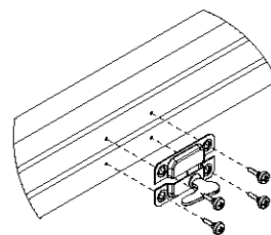
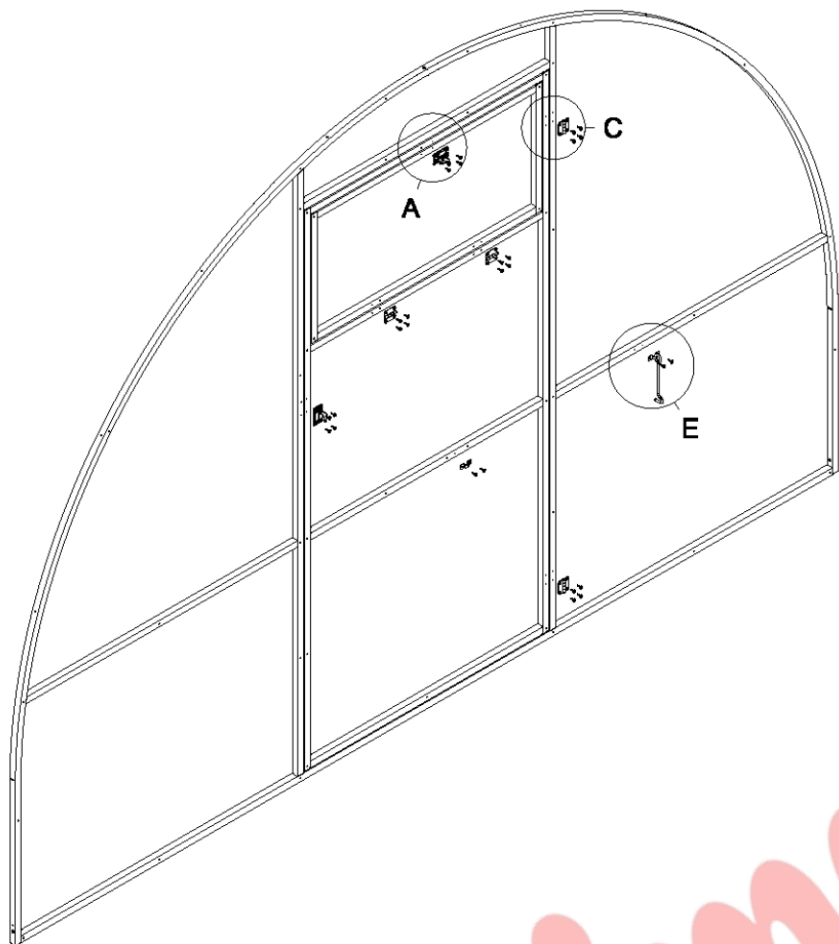
Snow	H (m)	P (kg/m ²)
Dry	0,55 - 0,60	80
Freshly fallen	0,25 - 0,40	80
Wet	0,10	80



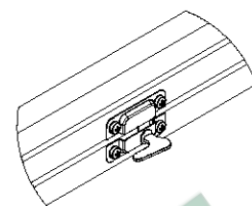


№	Part	Quantity			
		4 m (base)	6 m	8 m	10 m
1		2	2	2	2
2		2	2	2	2
3		2	2	2	2
4		3	5	7	9
5		5	5	5	5
6		5	10	15	20
7		6	8	10	12
8		6	8	10	12

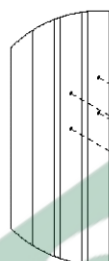
№	Part	Quantity			
		4 m (base)	6 m	8 m	10 m
11	M6x50 	33	46	59	72
12	M6 	33	46	59	72
13	M6 	33	46	59	72
14		16	16	16	16
15		8	8	8	8
16		4	4	4	4
17		2	2	2	2
18		232	262	292	322
19	EPDM 	170	200	230	260



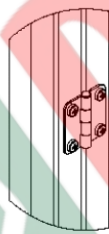
A (1:5)



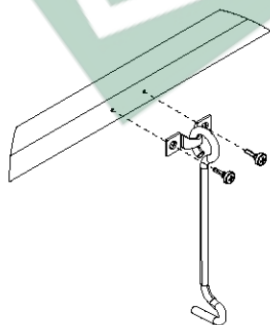
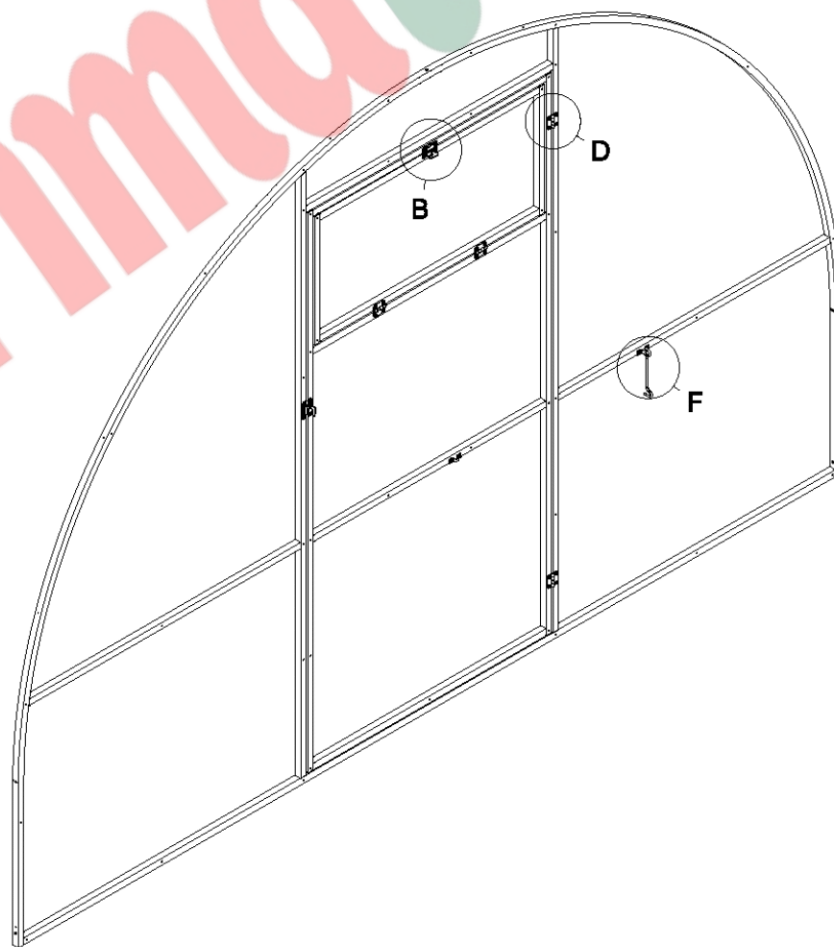
B (1:5)



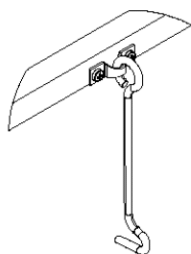
C (1:5)



D (1:5)

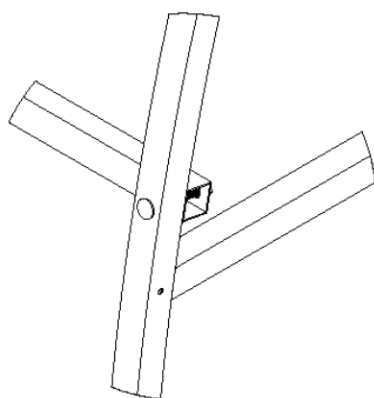
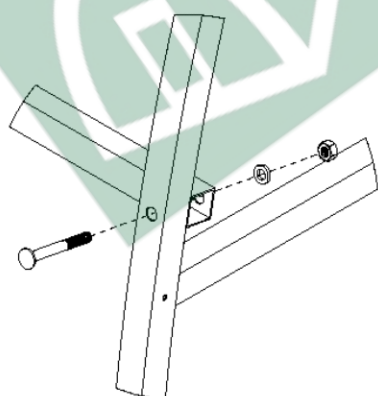
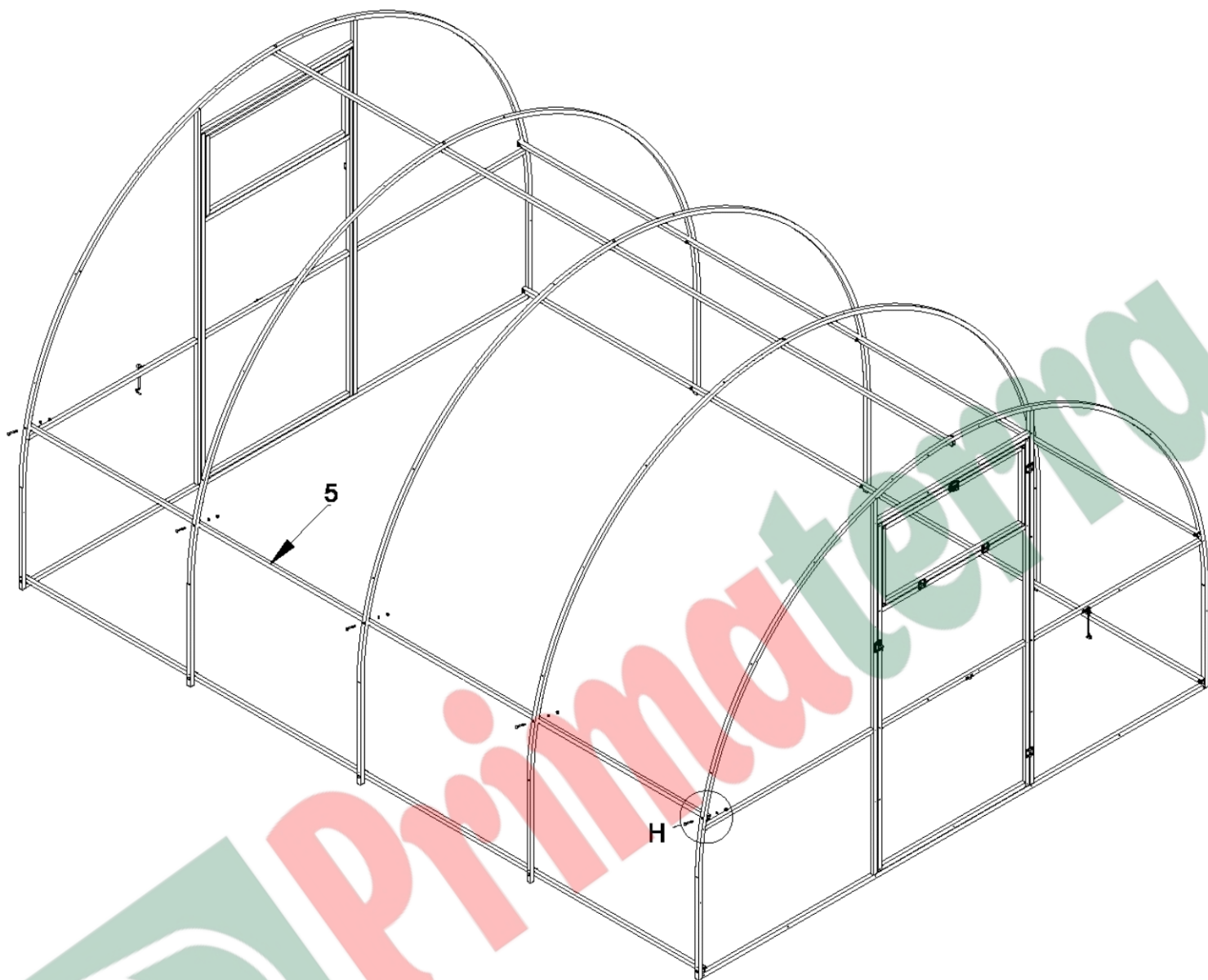


E (1:5)



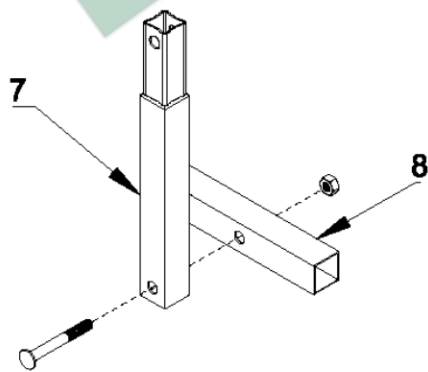
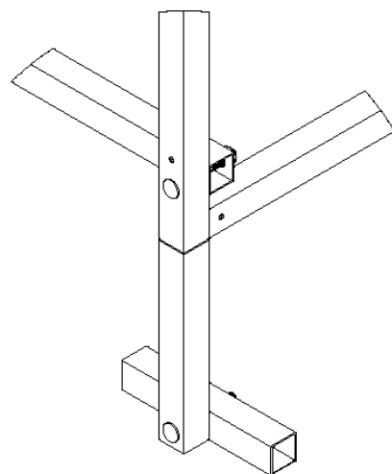
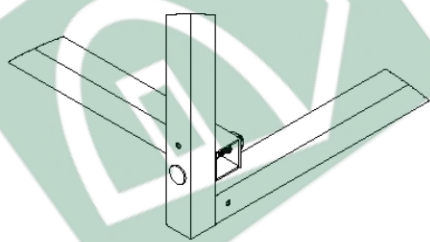
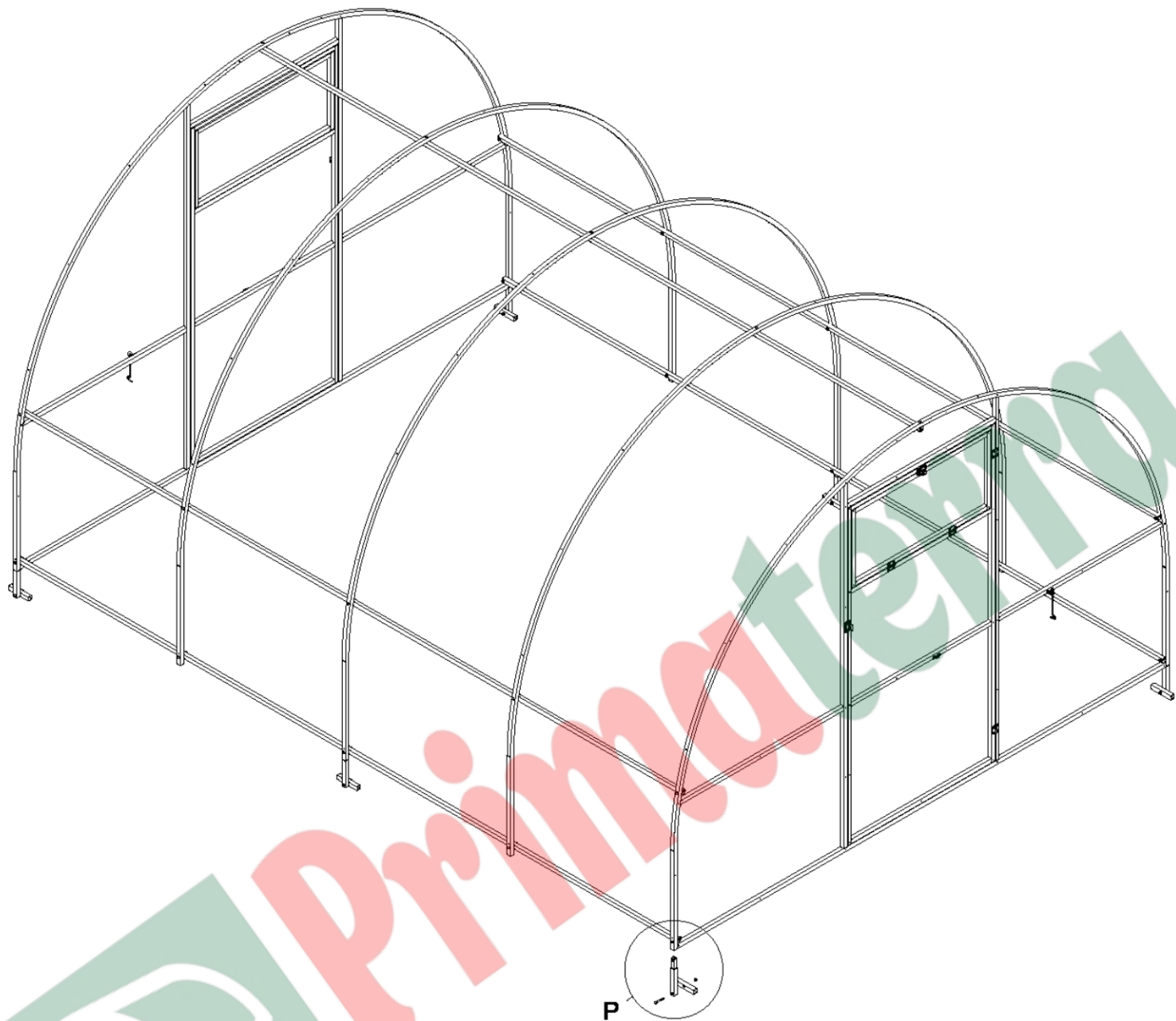
F (1:5)

Primate Terra

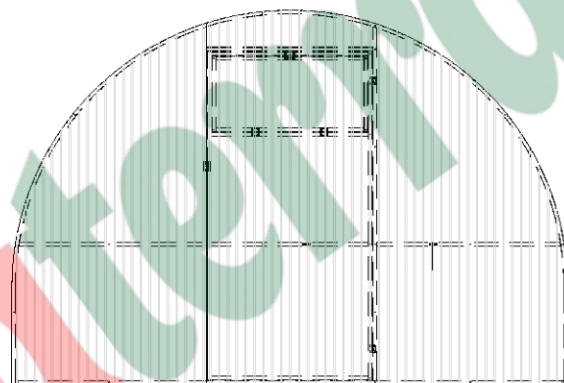
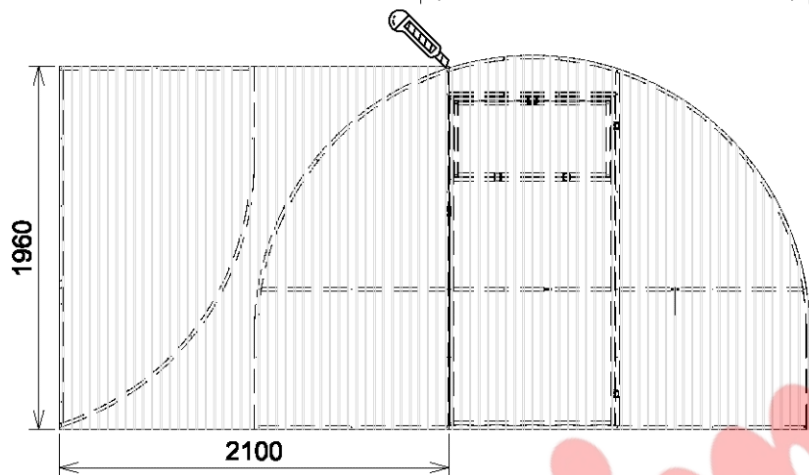
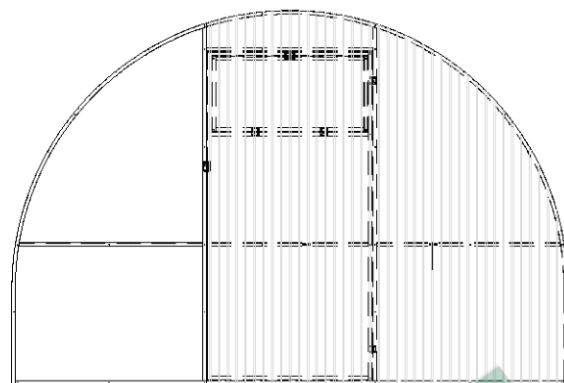
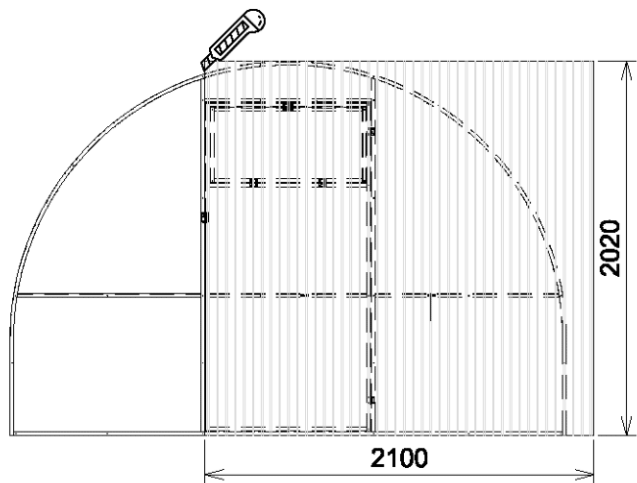


H (1:5)



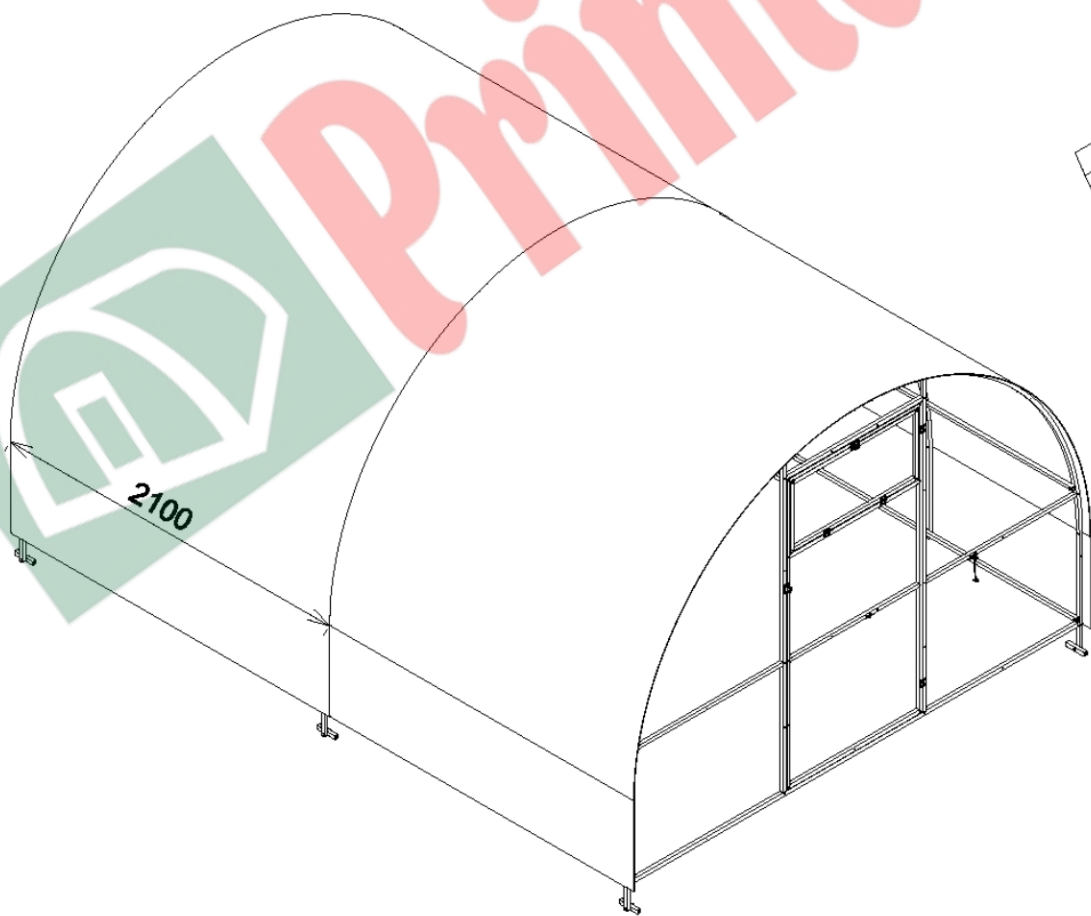
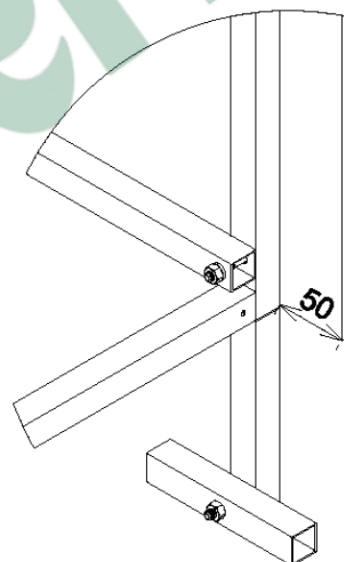
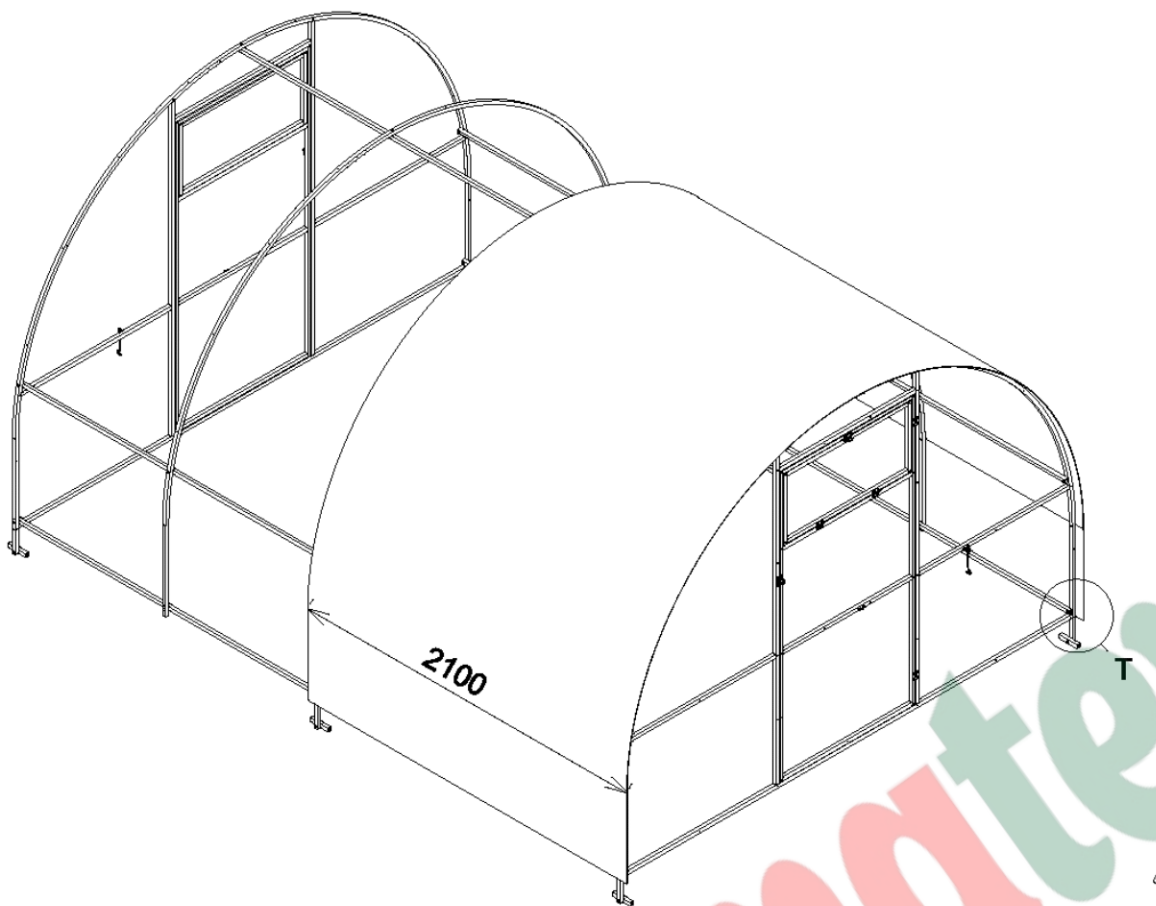


P (1:5)



PrimaTenda





T (1:5)